

## CSP2x3-6 and SOT23-5 30V Over-Voltage-Protection IC

### DESCRIPTION

ETA6122 is an Over-Voltage-Protection (OVP) IC with an ultra-low 45mΩ RDSON high current high voltage MOSEFT. It can sustain voltage as high as 32V DC, protecting downstream devices from high voltage surges.

When input voltage of ETA6122 exceed the OVP threshold, it responds quickly and shuts off the MOSFET. The OVP threshold can be externally adjusted with resistors at OVLO pin. There is also an over-current-protection feature for the switch. When overload condition occurs, it goes into a hiccup mode to protect the IC from over-heating. It also has an over-temperature protection feature that turns off the MOSFET.

ETA6122 is available in SOT23-5 and CSP2x3-6.

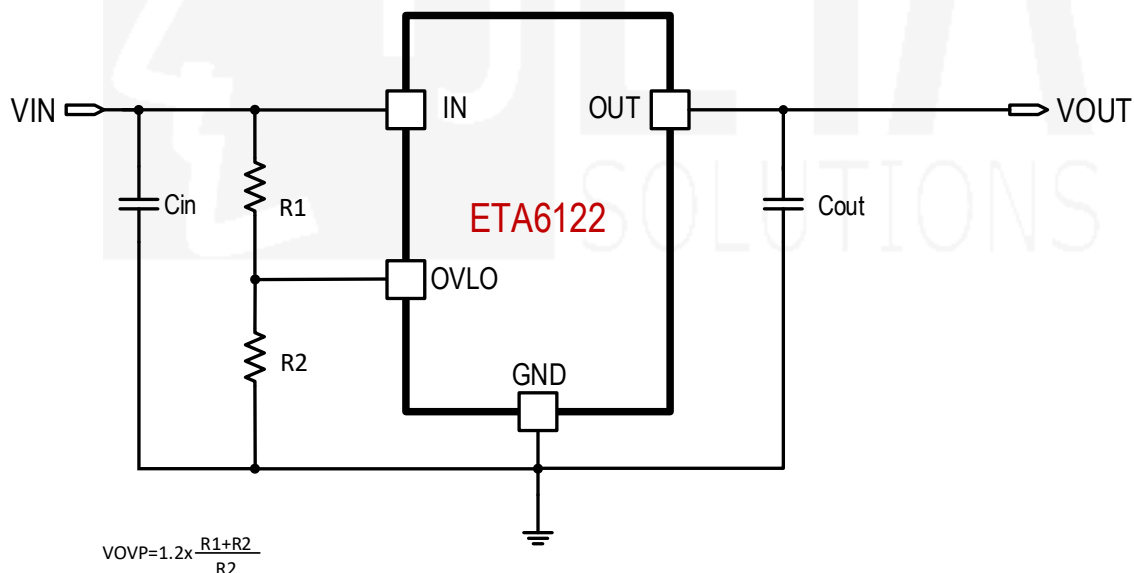
### FEATURES

- ◆ Over voltage protection up to 32V
- ◆ 45mohm switch resistance
- ◆ Externally adjustable OVP voltage
- ◆ 60ns Fast Transient response
- ◆ Internally set current limit

### APPLICATIONS

- ◆ Tablet, MID
- ◆ Smart Phone
- ◆ Car camera
- ◆ Power bank

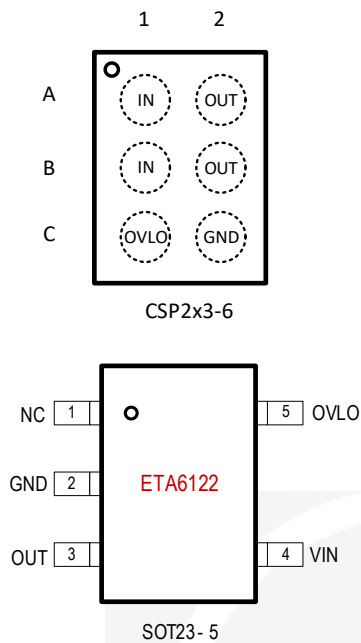
### TYPICAL APPLICATION



### ORDERING INFORMATION

PART No.	PACKAGE	TOP MARK	Pcs/Reel
ETA6122S2F	SOT23-5	GWYW	3000
ETA6122CSG	CSP2x3-6	6122 YWWL	3000

## PIN CONFIGURATION



## ABSOLUTE MAXIMUM RATINGS

(Note: Exceeding these limits may damage the device. Exposure to absolute maximum rating conditions for long periods may affect device reliability.)

IN Pin .....	-0.3V to 32V
OUT Pin .....	-0.3V to IN+0.3V
OVLO Pin .....	6V
IN Current (10mS) .....	6A
IN Current (Continues) .....	3A
Operating Temperature Range .....	-40°C to 85°C
Storage Temperature Range .....	-55°C to 150°C
Thermal Resistance $\theta_{JA}$	
CSP2x3-6.....	120.....°C /W
SOT23-5.....	180.....°C /W
Lead Temperature (Soldering, 10ssec) .....	260°C
ESD HBM (Human Body Mode) .....	2KV

## ELECTRICAL CHARACTERISTICS

( $V_{IN} = 5V$ , unless otherwise specified. Typical values are at  $T_A = 25^\circ C$ .)

PARAMETER	CONDITIONS	MIN	TYP	MAX	UNITS
<b>INPUT Operation</b>					
INPUT Range		4.1		28	V
INPUT UVLO	Rising, Hys=300mV		3.84		V
INPUT Quiescent Current	$V_{IN}=5V$ OUT floating		130		$\mu A$
<b>OVP</b>					
Vin_ovlo	Internal over voltage trip level, rising	6.528	6.8	7.072	V
Vin_ovlo_hys	Internal over voltage trip level, hysteresis		0.53		V
Vovlo_th	OVLO pin threshold	1.145	1.2	1.255	V
Vovlo_sel	External OVLO select threshold		0.3		V
RDSON	Switch On Resistance. $V_{IN}=5V$ , $I_{OUT}=1A$ , $25^\circ C$		45		m $\Omega$
Iovlo	OVLO pin input current. Vovlo=2V		0.41		$\mu A$
Rdis	VOU discharge resistance		197		$\Omega$
Thermal shutdown	$V_{IN}=5V$ OUT floating		130		$^\circ C$
Thermal shutdown hysteresis	$V_{IN}=5V$ OUT floating		20		$^\circ C$
<b>Dynamic Characteristics</b>					
Tpower-on	Power ON delay $V_{IN} > UVLO$ to 90% $V_{OUT}$		20		mS

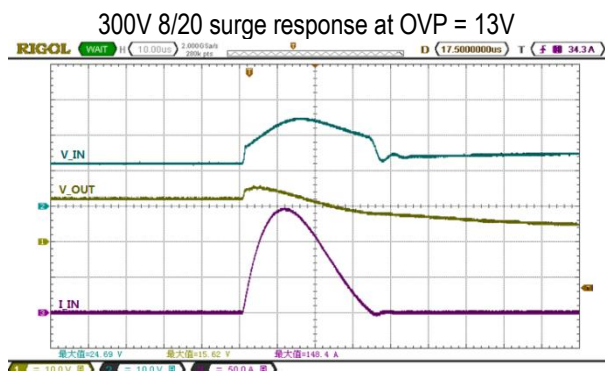
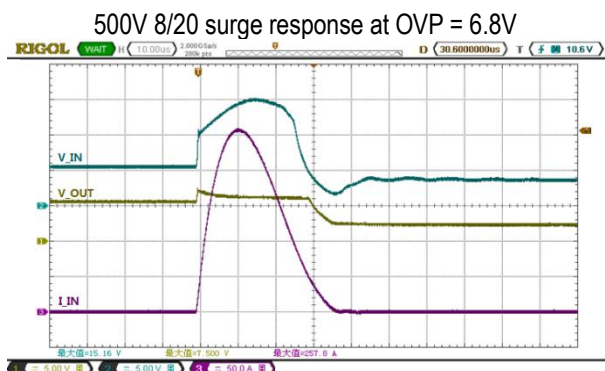
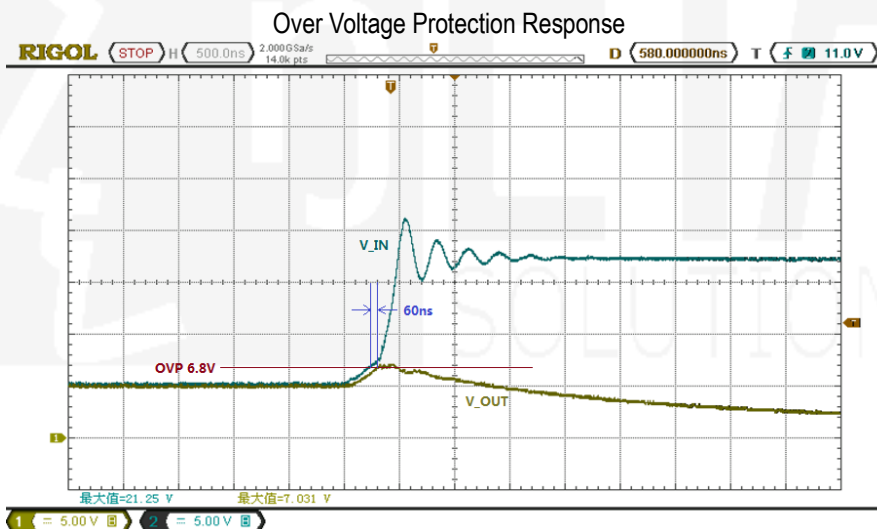
PARAMETER	CONDITIONS	MIN	TYP	MAX	UNITS
Tovp	Over-voltage response time. $V_{IN} > V_{OVLO}$ to $V_{OUT}$ stop rising		60		nS

## PIN DESCRIPTION

PIN #	PIN	NAME	DESCRIPTION
A1,B1	4	IN	Input pin. Bypass with a 1μF capacitor to GND.
A2,B2	3	OUT	Output Power Pin.
C1	5	OVLO	External OVLO adjustment. Connect OVLO to GND when using the internal threshold. Connect a resistor divider to OVLO to set a different OVLO threshold.
C2	2	GND	Ground Pin.
NA	1	NC	Not Connect.

## TYPICAL CHARACTERISTICS

(Typical values are at  $T_A = 25^\circ\text{C}$  unless otherwise specified.)



## APPLICATION INFORMATION

### Over Voltage Threshold Setting

The Over-Voltage-Protection trip point can be externally set by the OVLO pin. Connecting a resistor divider from IN to OVLO to ground sets up the OVP trip point. The OVLO has a typical threshold of 1.20V. Connect this pin to ground, the OVP threshold is internally set at 6.8V

### UVLO

There is a UVLO feature that the input voltage has to rise above the UVLO threshold typically 3.84V to turn on the switch.

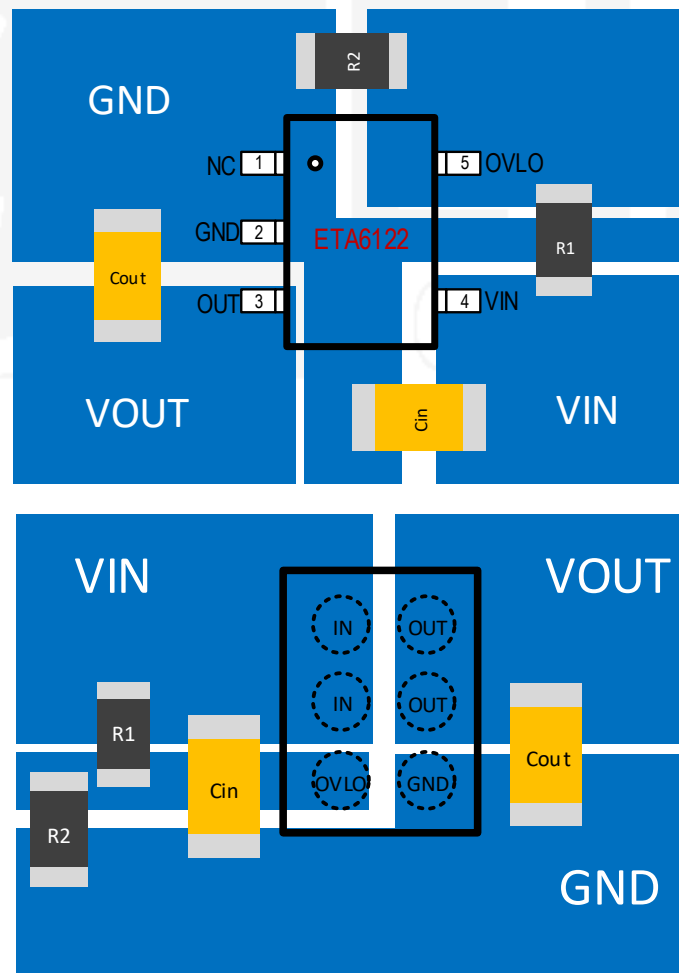
### Over Current Protection and Hiccup mode

When the output is overloaded, or the current limit is reached, the IC goes into a hiccup mode to protect the IC from overheating.

### Thermal Shutdown

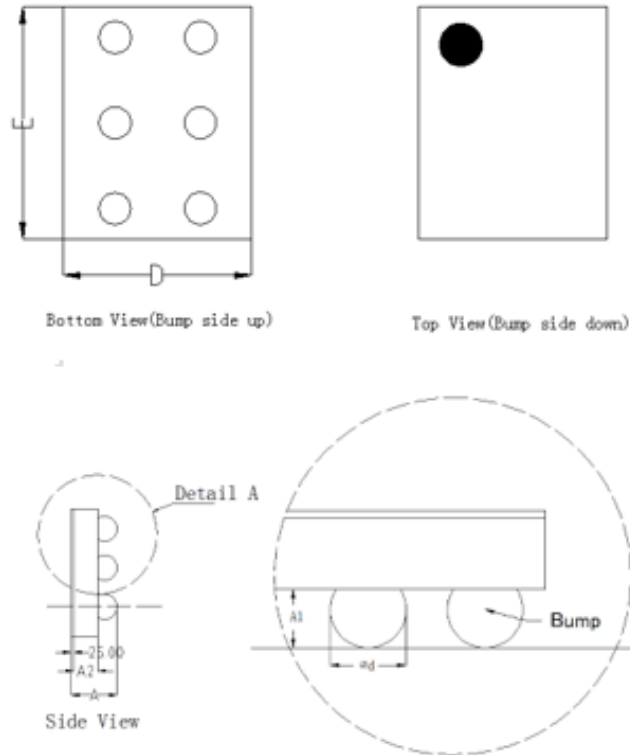
Thermal-overload protection limits total power dissipation in the device. When the junction temperature exceeds  $T_J = +130^{\circ}\text{C}$ , a thermal sensor forces the device into shutdown, allowing the die to cool. The thermal sensor turns the device on again after the junction temperature cools by  $20^{\circ}\text{C}$ , resulting in a pulsed output during continuous overload conditions.

## PCB GUIDELINES



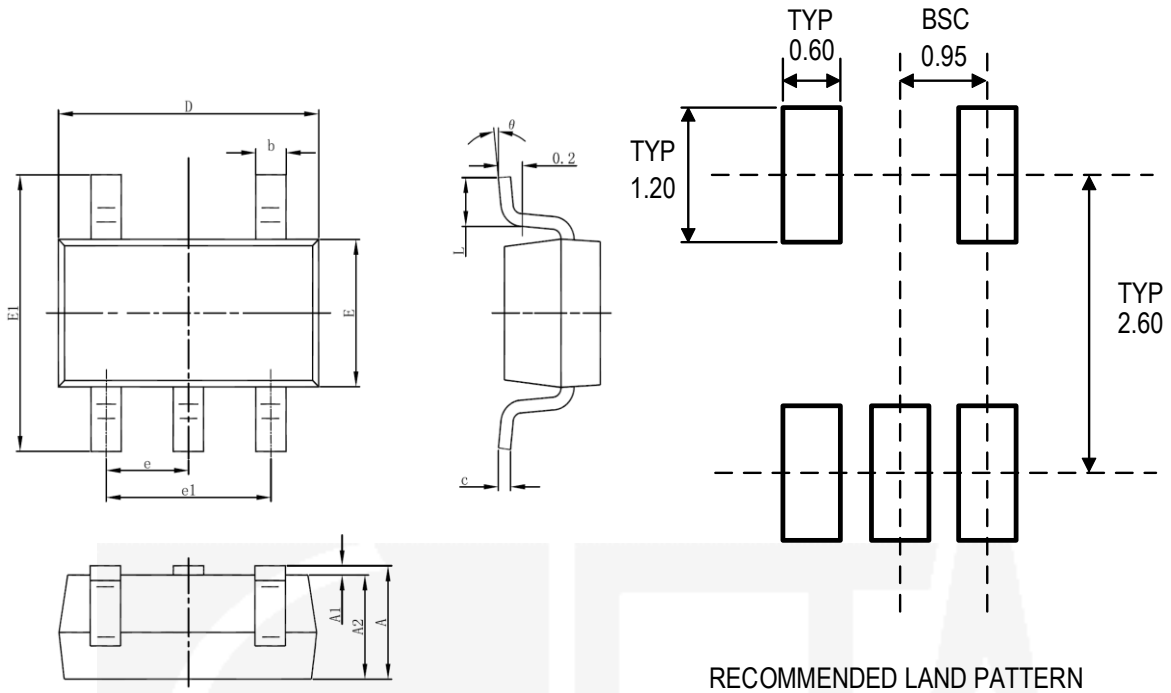
## PACKAGE OUTLINE

Package: CSP2x3-6



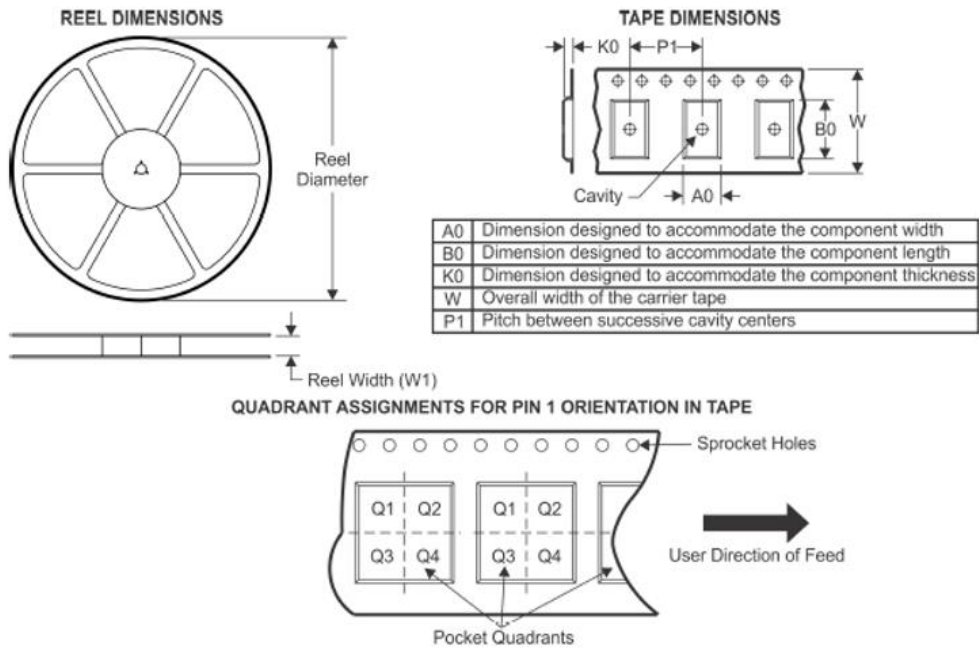
SYMBOL	DIMENSIONS(mm)		
	MIN	NOM	MAX
A	0.49	0.52	0.55
A1	0.12	0.14	0.16
A2	0.3425	0.355 (Si)	0.3675
E	1.04	1.06	1.08
D	0.834	0.854	0.874
Min Pitch	0.4		
d	0.16	0.18	0.2

Package: SOT23-5



Symbol	Dimensions In Millimeters		Dimensions In Inches	
	Min	Max	Min	Max
A	1.050	1.250	0.041	0.049
A1	0.000	0.100	0.000	0.004
A2	1.050	1.150	0.041	0.045
b	0.300	0.500	0.012	0.020
c	0.100	0.200	0.004	0.008
D	2.820	3.020	0.111	0.119
E	1.500	1.700	0.059	0.067
E1	2.650	2.950	0.104	0.116
e	0.950(BSC)		0.037(BSC)	
e1	1.800	2.000	0.071	0.079
L	0.300	0.600	0.012	0.024
θ	0°	8°	0°	8°

## TAPE AND REEL INFORMATION



Device	Package Type	Pins	SPQ	Reel Diameter (mm)	Reel Width W1 (mm)	A0 (mm)	B0 (mm)	K0 (mm)	P1 (mm)	W (mm)	Pin1 Quadrant
ETA6122S2F	SOT23-5	5	3000	180	9.5	3.17	3.23	1.37	4	8	Q3
ETA6122CSG	CSP2x3-6	6	3000	178	9.5	0.95	1.2	0.62	4	8	Q1