

1.2A/40V Fully Integrated Linear Charger for 1 Cell Li-ion Battery

DESCRIPTION

ETA4258 is a single cell, fully integrated constant current (CC)/constant voltage (CV) Li-ion battery charger. Its compact package with minimum external components requirement makes the ETA4258 ideal for portable applications. No external sense resistor or blocking diode is necessary for the ETA4258. Build-in thermal feedback mechanism regulates the charge current to control the die temperature during high power operation or at elevated ambient temperature. The ETA4258 has a pre-charge function for trickle charging deeply discharged batteries. The fast charge current can be programmed by an external resistor. CV regulation mode is automatically enabled once the battery's charging curve reaches the constant voltage portion. The output current then decays and is finally terminated once the charge current drops to 1/5 of the programmed value. The ETA4258 keeps monitoring the battery voltage and enables a new charge cycle once the voltage drops by 200mV below the CV value.

ETA4258 is in an DFN3x3-10 package.

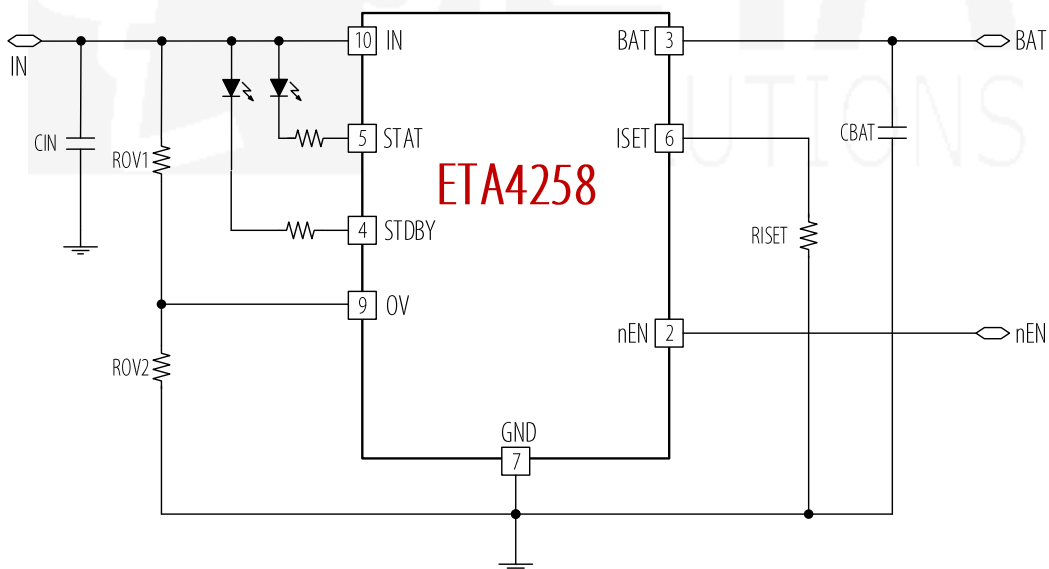
FEATURES

- ◆ 40V input standoff voltage
- ◆ Input over voltage protection
- ◆ 4.2V charge termination voltage
- ◆ 2.6V trickle charge threshold
- ◆ Charge current programmable, up to 1.2A
- ◆ 400nA BAT current when no charging
- ◆ Soft-start limits in-rush current
- ◆ DFN3x3-10

APPLICATIONS

- ◆ E-cigarette
- ◆ Toys
- ◆ Bluetooth applications
- ◆ Li-ion battery powered devices

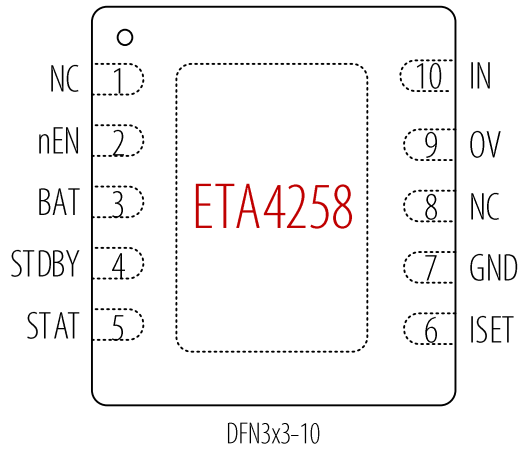
TYPICAL APPLICATION



ORDERING INFORMATION

PART No.	PACKAGE	TOP MARK	Pcs/Reel
ETA4258D3K	DFN3x3-10	ETA4258 YWW2L	5000

PIN CONFIGURATION



ABSOLUTE MAXIMUM RATINGS

(Note: Exceeding these limits may damage the device. Exposure to absolute maximum rating conditions for long periods may affect device reliability.)

VIN, OV Voltage	-0.3V to 40V
BAT, STDBY, STAT, nEN Voltage.....	-0.3V to 16V
All other pin Voltage.....	-0.3V to 6V
Operating Temperature Range.....	-40°C to 85°C
Storage Temperature Range	-55°C to 150°C
Thermal Resistance θ_{JC} θ_{JA}	
DFN3x3-10	12 50 °C/W
Lead Temperature (Soldering, 10ssec)	260°C

ELECTRICAL CHARACTERISTICS

(VIN = 5V, unless otherwise specified. Typical values are at TA = 25°C.)

PARAMETER	CONDITIONS	MIN	TYP	MAX	UNITS
Input Standoff Voltage				40	V
Input Over-Voltage Protection Voltage	VIN rising, hys=0.4V, OV Pin Floating	5.7	6.1	6.5	V
Input Voltage Range for Charging		4.25		6	V
Input Supply Current	Charge Mode		0.3	2	mA
	Standby Mode (Charge Terminated)		100	200	µA
	Shutdown Mode (ISET Not Connected, nEN=VIN, VIN<VBAT, or VIN<VULO)		30	60	µA
Regulated Output (Float) Voltage	Rset = 10K, IBAT = 40mA	4.16	4.2	4.24	V
BAT Pin Current	Rset = 2K, Current Mode, VBAT=3.8V	450	500	550	mA
	Rset = 1.6K to 8K, Current Mode	90	100	110	%ICHRG
	Standby Mode, VBAT = 4.2V		2	3	µA
	Shutdown Mode, ISET Not Connected	0	0.4	0.7	µA
	Sleep Mode, VIN = 0V	0	0.4	0.7	µA
	Trickle Charge Current	VBAT < VTRIKL	5	10	15
Trickle Charge Threshold Voltage	VBAT Rising	2.45	2.60	2.75	V
Trickle Charge Hysteresis Voltage			100		mV
VIN Under-voltage Lockout Threshold	From VIN Low to High	3.3	3.6	3.9	V
VIN Under-voltage Lockout Hysteresis		0.4	0.55	0.65	V
nEN Pull-Down Resistance			2		MΩ
nEN Threshold	nEN Pin Rising, Charger Disable	1.6			V
	nEN Pin Falling, Charger Enable			0.6	
VIN-VBAT Lockout Threshold Voltage	VIN from Low to High	70	150	230	mV
	VIN from High to Low	20	70	130	

PARAMETER	CONDITIONS	MIN	TYP	MAX	UNITS
Termination Current Threshold			20		%ICHRG
ISET Pin Voltage	Current Mode, VBAT=4V	0.9	1	1.1	V
STAT/STDBY Pin Weak Pull-Down Current	V_STAT = 5V		0.1		μA
STAT/STDBY Pin Output Low Voltage	I_STAT or I_STDBY= 2.5mA		0.7	1.4	V
Recharge BAT Threshold Voltage	VFLOAT - VRECHRG	100	200	300	mV
Junction Temperature in Constant Temperature Mode			110		°C
Power FET "ON" Resistance (Between VCC and BAT)			0.85		Ω
Soft-Start Time			40		ms
ISET Pin Pull-Up Current			1		μA

PIN DESCRIPTION

PIN#	NAME	DESCRIPTION
1,8	NC	No use
2	nEN	Charge Enable. An input "Low" signal at this pin or pin floating will enable the IC
3	BAT	Battery node. Has to withstand 15V, and reverse connecting protection. Current from battery into BAT pin should be less than 1uA.
4	STDBY	Open drain, pull low when charge terminated
5	STAT	Open drain, pull low in charging, high when charge terminated
6	ISET	Charge current setting. Program, Monitor the charge current and Shutdown. This pin set to 1V in constant-current mode. The charge current can be calculated using the following formula: $I_{BAT} = \frac{1000}{R_{set}}$ The ISET pin can also be used to switch the charger to shutdown mode by disconnecting the program resistor from ground.
7	GND	Ground
9	OV	Input Over Voltage Protection setting. The OVP voltage can be calculated using the following formula: $V_{IN_{OVP}} = 1.17 \times (ROV1 + ROV2) / ROV2$ If OV pin is floating, OVP voltage will be equal to 6.1V
10	IN	Input, 40V standoff voltage, UVLO=3.6V, when UVLO is about reached, decrease charge current first when reached to 3.8V

FUNCTIONAL DESCRIPTIONS

The ETA4258 is a single cell, fully integrated constant current (CC)/constant voltage (CV) Li-ion battery charger. It can deliver up to 1200mA of charge current with a final float voltage accuracy of 1%. The ETA4258 has a build-in thermal regulation circuitry that ensures its safe operation. No blocking diode or external current sense resistor is required; hence reduce the external components for a basic charger circuit to two. The ETA4258 is also capable of

operating from a USB power source.

Normal Charge Cycle

The ETA4258 initiates a charge cycle once the voltage at the VIN pin rises above the UVLO threshold level. A 1% precision resistor needs to be connected from the ISET pin to ground. If the voltage at the BAT pin is less than 2.6V, the charger enters trickle charge mode. In this mode, the charge current is reduced to nearly 1/10 the programmed value until the battery voltage is raised to a safe level for full current charging.

The charger switches to constant-current mode as the BAT pin voltage rises above 2.6V, the charge current is thus resumed to full programmed value. When the final float voltage (4.2V) is reached, the ETA4258 enters constant-voltage mode and the charge current begins to decrease until it drops to 1/5 of the preset value and ends the charge cycle¹

Programming Charge Current

The charge current is programmable by setting the value of a precision resistor connected from the ISET pin to ground. The charge current is 1000 times of the current out of the ISET pin. The charge current out of the BAT pin can be determined at any time by monitoring the ISET pin voltage using the following equation:

$$I_{\text{BAT}} = \frac{1000}{R_{\text{set}}}$$

Charge Termination

The ETA4258 keeps monitoring the ISET pin during the charging process. It terminates the charge cycle when the charge current falls to 1/5 the programmed value after the final float voltage is reached. When the ISET pin voltage falls below 200mV for longer than tTERM (typically 1ms), charging is terminated. The charge current is latched off and the ETA4258 enters standby mode, where the input supply current drops to 100µA. (Note: termination is disabled in trickle charging and thermal limiting modes).

During charging, the transient response of the circuit can cause the ISET pin to fall below 200mV temporarily before the battery is fully charged, thus can cause a premature termination of the charge cycle. A 1ms filter time on the termination comparator can prevent this from happening. Once the average charge current drops below 1/5 the programmed value, the ETA4258 terminates the charge cycle and ceases to provide any current through the BAT pin. In this state, all loads on the BAT pin must be supplied by the battery.

Charge Status Indicator (STAT and STDBY pin)

There are 2 different states of the charge status, one is IN CHRGING, and the other is CHARGING FINISHED. STAT is the pin to pull low during IN CHARGING status, become high impedance in CHARGING FINISHED status. And STDBY pin just works the opposite way, pulling low after charge finished, and high impedance when in charging.

High Temperature Fold-back

Build-in feedback circuitry mechanism can reduce the value of the programmed charge current once the die temperature tends to rise above 50°C, hence prevents the temperature from further increase and ensure device safe operation.

Under-voltage Lockout (UVLO)

Build-in under-voltage lockout circuit monitors the input voltage and keeps the charger in shutdown mode until VIN rises above the under-voltage lockout threshold. The UVLO circuit has a built-in hysteresis of 500mV. Furthermore, to protect against reverse current in the power MOSFET, the UVLO circuit keeps the charger in shutdown mode if VIN falls to within 80mV of the battery voltage. If the UVLO comparator is tripped, the charger will not come out of shutdown mode until VIN rises 200mV above the battery voltage.

Manual Shutdown

There are two methods can disable the IC charger:

1. Driver the EN pin to high.
2. Floating the ISET pin by removing the resistor from ISET pin to ground.

Once one of above conditions happen, it can put the device in shutdown mode. The battery drain current is thus reduced to 400nA and the supply current to <math>< 50\mu\text{A}</math>. Reconnecting the resistor back or driver EN pin high will restart a new charge cycle.

Automatic Recharge

After the termination of the charge cycle, the ETA4258 constantly monitors the BAT pin voltage and starts a new charge cycle when the battery voltage falls below 4.0V, keeping the battery at fully charged condition. ISET pin output enters a strong pull-down state during recharge cycles.

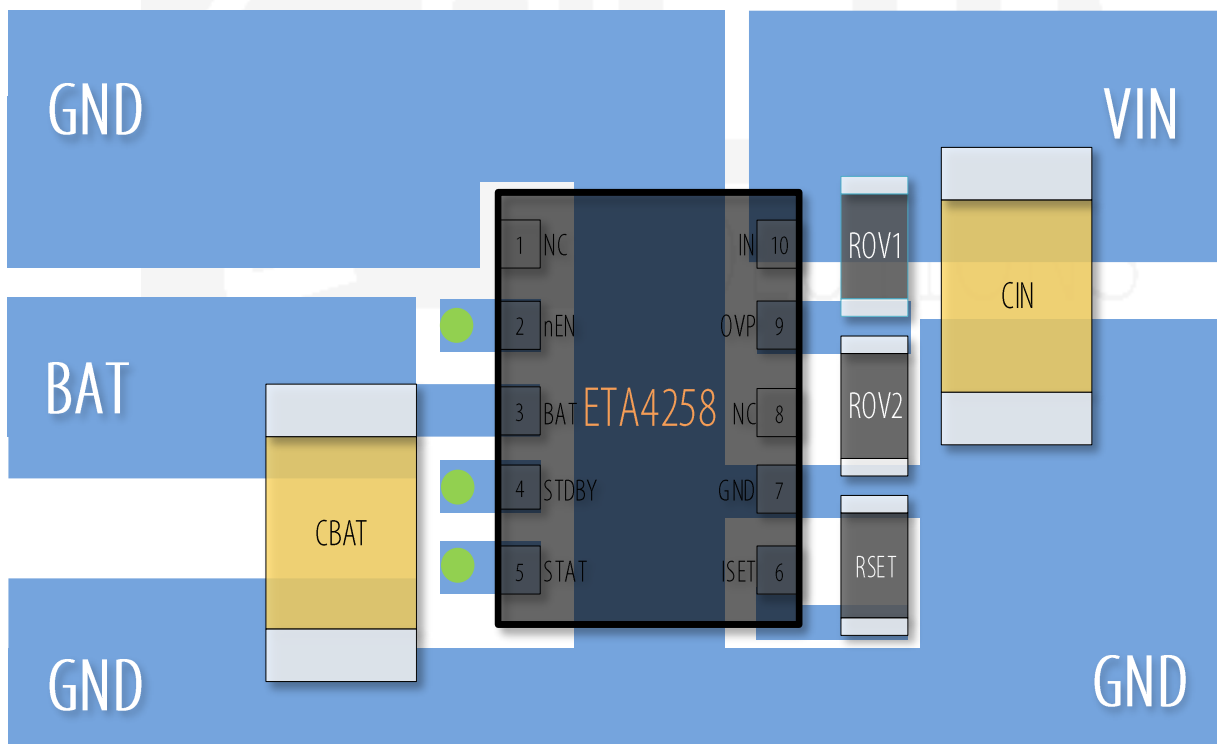
Over Voltage Protection Setting

ETA4258 provides OVP setting function by using two external resistors at OV pin. The OVP voltage can be set by the following equation:

$$V_{IN_{OVP}} = 1.17 \times (ROV1 + ROV2) / ROV2$$

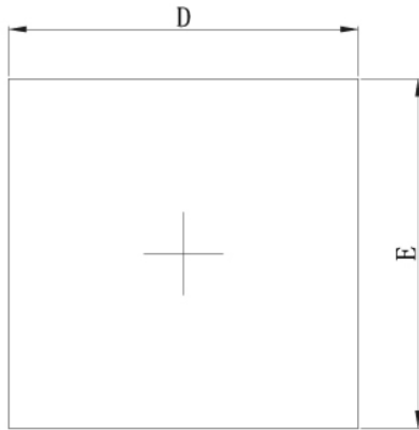
If OV pin is floating, the OVP voltage will be equal to 6.1V

Layout Guide

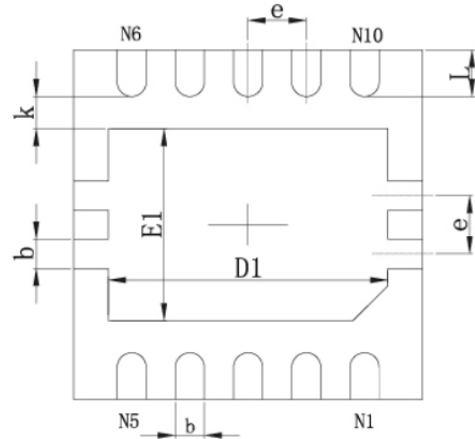


PACKAGE OUTLINE

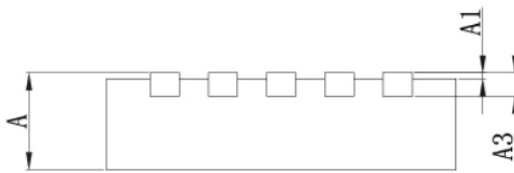
Package: DFN3x3-10



Top View



Bottom View



Symbol	Dimensions In Millimeters		Dimensions In Inches	
	Min.	Max.	Min.	Max.
A	0.700	0.800	0.028	0.031
A1	0.000	0.050	0.000	0.002
A3	0.203REF.		0.008REF.	
D	2.924	3.076	0.115	0.121
E	2.924	3.076	0.115	0.121
D1	2.300	2.500	0.091	0.098
E1	1.550	1.750	0.061	0.069
k	0.200MIN.		0.008MIN.	
b	0.200	0.300	0.008	0.012
e	0.500TYP.		0.020TYP.	
L	0.324	0.476	0.013	0.019