

1.2A/16V Fully Integrated Linear Charger for 1 Cell Li-ion Battery

DESCRIPTION

ETA4046 is a single cell, fully integrated constant current (CC)/constant voltage (CV) Li-ion battery charger. Its compact package with minimum external components requirement makes the ETA4046 ideal for portable applications. No external sense resistor or blocking diode is necessary for the ETA4046. Build-in thermal feedback mechanism regulates the charge current to control the die temperature during high power operation or at elevated ambient temperature. The ETA4046 has a pre-charge function for trickle charging deeply discharged batteries. The fast charge current can be programmed by an external resistor. CV regulation mode is automatically enabled once the battery's charging curve reaches the constant voltage portion. The output current then decays and is finally terminated once the charge current drops to 1/5th of the programmed value. The ETA4046 keeps monitoring the battery voltage and enables a new charge cycle once the voltage drops by 120mV below the CV value.

ETA4046 is in an ESOP8, DFN2x2-8, DFN2x3-8, and SOT23-6 package.

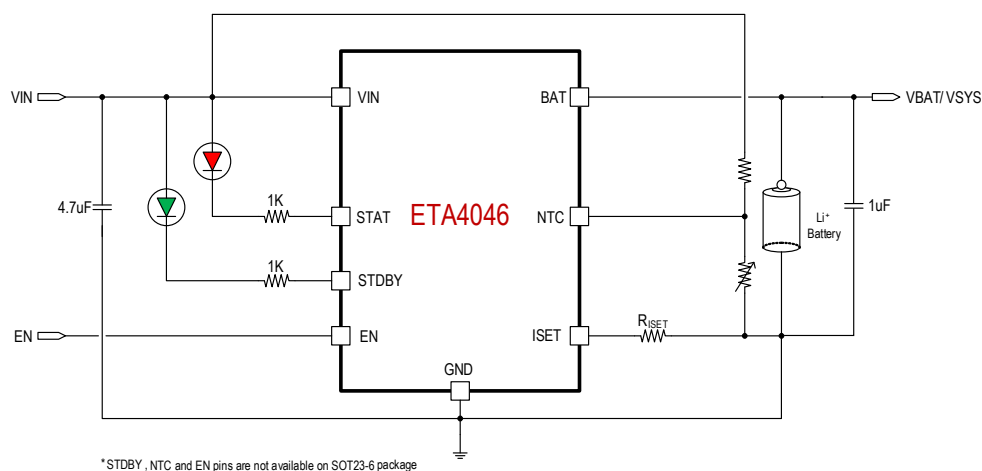
FEATURES

- ◆ 16V input standoff voltage
- ◆ 4.2V charge termination voltage
- ◆ 2.9V trickle charge threshold
- ◆ Charge current programmable, up to 1.2A
- ◆ 250nA BAT current when no charging
- ◆ Soft-start limits in-rush current
- ◆ ESOP8 / DFN2x2-8 / DFN2x3-8 / SOT23-6

APPLICATIONS

- ◆ E-cigarette
- ◆ Toys
- ◆ Bluetooth applications
- ◆ Li-ion battery powered devices

TYPICAL APPLICATION

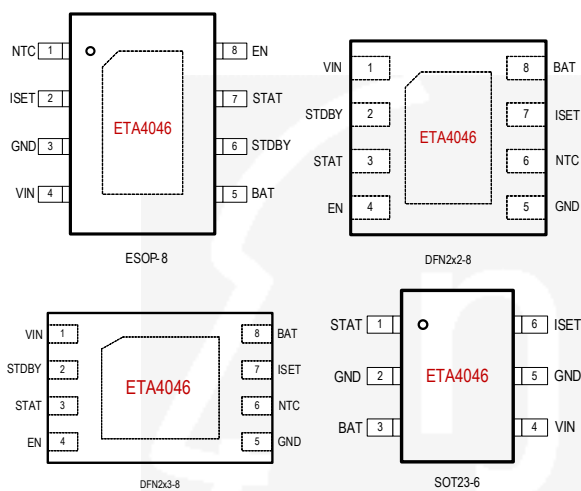


ORDERING

INFORMATION

PART No.	PACKAGE	TOP MARK	Pcs/Reel
ETA4046E8A	ESOP8	ETA4046 YWW2L	4000
ETA4046D2I	DFN2x2-8	NLYW	3000
ETA4046D6I	DFN2x3-8	NLYW	3000
ETA4046S2G	SOT23-6	NLYW	3000

PIN CONFIGURATION



ABSOLUTE MAXIMUM RATINGS

VIN Voltage	-0.3V to 20V	
ISET Voltage	-0.3V to 6V	
All other pin Voltage	-0.3V to 16V	
Operating Temperature Range	-40°C to 85°C	
Storage Temperature Range	-55°C to 150°C	
Thermal Resistance	θ_{JC}	θ_{JA}
ESOP8	10	50
DFN2x2-8	20	100
DFN2x3-8	15	80
SOT23-6	22	110
Lead Temperature (Soldering, 10sec)	260°C	
ESD HBM (Human Body Mode)	2KV	
ESD MM (Machine Mode)	200V	

ELECTRICAL CHARACTERISTICS

(VIN = 5V, unless otherwise specified. Typical values are at TA = 25°C.)

PARAMETER	CONDITIONS	MIN	TYP	MAX	UNITS
Input Standoff Voltage		16			V
Input Over-Voltage Protection Voltage	VIN rising, hys=0.3V	6.5	7	7.4	V
Input Voltage Range for Charging		4.25		6	V
Input Supply Current	Charge Mode		300	2000	μ A
	Standby Mode (Charge Terminated)		65	100	μ A
	Shutdown Mode (ISET Not Connected, EN=0, VIN<VBAT, or VIN<VULO)			25	50
Regulated Output (Float) Voltage	Rset = 10K, IBAT = 40mA	4.16	4.2	4.24	V

PARAMETER	CONDITIONS	MIN	TYP	MAX	UNITS
BAT Pin Current	Rset = 10K, Current Mode	90	100	110	mA
	Rset = 2K, Current Mode	432	480	528	mA
	Rset = 1K, Current Mode	820	920	1020	mA
	Standby Mode, VBAT = 4.2V		2	3	μA
	Shutdown Mode, ISET Not Connected	0	0.25	0.35	μA
	Sleep Mode, VIN = 0V	0	0.25	0.35	μA
Trickle Charge Current	VBAT < VTRIKL, Rset = 2K	40	100	200	mA
Trickle Charge Threshold Voltage	VBAT Rising	2.75	2.93	3.1	V
Trickle Charge Hysteresis Voltage		100	130	165	mV
VIN Under-voltage Lockout Threshold	From VIN Low to High	3.05	3.35	3.6	V
VIN Under-voltage Lockout Hysteresis		0.4	0.55	0.65	V
EN Pull-Up Current		0.5	1		μA
Enable Charger	EN Pin Rising	1.6			V
Disable Charger	EN Pin Falling			0.6	V
VIN-VBAT Lockout Threshold Voltage	VIN from Low to High	50	100	140	mV
	VIN from High to Low	5	30		mV
C/5 Termination Current Threshold		0.17	0.2	0.23	mA/mA
ISET Pin Voltage	Current Mode, VBAT=4V		1		V
STAT/STDBY Pin Weak Pull-Down Current	V_STAT = 5V		0.1		μA
STAT/STDBY Pin Output Low Voltage	I_STAT or I_STDBY= 5mA		0.35	0.6	V
Recharge BAT Threshold Voltage	VFLOAT - VRECHRG	90	120	150	mV
Junction Temperature in Constant Temperature Mode			120		°C
Power FET "ON" Resistance (Between VCC and BAT)			0.5		ohm
Soft-Start Time	IBAT = 0 to IBAT =1000V/RSET		100		μs
Termination Comparator Filter Time	IBAT Falling Below ICHG/5	400	1000	2500	μs
ISET Pin Pull-Up Current			1		μA
NTC Threshold, Cold	Charger Suspended		80	83	% VIN
NTC Threshold, Hot	Charger Suspended	42	45		% VIN
NTC Threshold Hysteresis			2		% VIN
NTC Disable Threshold	Tie NTC to GND				
NTC Input Leakage			0	1	μA

PIN DESCRIPTION

ESOP8 PIN #	DFN2x2-8 PIN#	DFN2x3-8 PIN#	SOT23-6 PIN#	NAME	DESCRIPTION
1	6	6	NA	NTC	Battery Temperature Monitoring input pin. It sets the valid temperature operating range for both battery charging and discharging.
2	7	7	6	ISET	<p>Program, Monitor the charge current and Shutdown. This pin set to 1V in constant-current mode. The charge current is programmed by connecting a 1% resistor (Rset), between ISET, to GND pin. The charge current can be calculated using the following formula:</p> $I_{BAT} = \frac{1}{R_{set}} \times 1000 - \left(\frac{1}{3.6} \times \frac{1}{R_{set}} \times 1000 \right)^2$ <p>The ISET pin can also be used to switch the charger to shutdown mode by disconnecting the program resistor from ground.</p>
3	5	5	2	GND	Ground.
4	1	1	4	VIN	Positive Input Supply. Needs to be bypassed with at least a 4.7µF capacitor.
5	8	8	3	BAT	Charge Current Output. This pin provides charge current to the battery and regulates the final float voltage to 4.2V which is set by an internal precision resistor divider.
6	2	2	NA	STDBY	Open-Drain Output for Charge Finished flag. The STDBY pin outputs low when the battery is finished charging. When in the status of charging, it becomes high-impedence.
7	3	3	1	STAT	Open-Drain Output for In Charging flag, The STAT pin outputs low when the battery is in charging. Upon the completion of the charge cycle, it becomes high-impedence.
8	4	4	NA	EN	Enable the IC charger or not. Drive this pin high or floating to enable charger, low to disable.

FUNCTIONAL DESCRIPTIONS

The ETA4046 is a single cell, fully integrated constant current (CC)/constant voltage (CV) Li-ion battery charger. It can deliver up to 1200mA of charge current with a final float voltage accuracy of 1%. The ETA4046 has a build-in thermal regulation circuitry that ensures its safe operation. No blocking diode or external current sense resistor is required; hence reduce the external components for a basic charger circuit to two. The ETA4046 is also capable of operating from a USB power source.

Normal Charge Cycle

The ETA4046 initiates a charge cycle once the voltage at the VIN pin rises above the UVLO threshold level. A 1% precision resistor needs to be connected from the ISET pin to ground. If the voltage at the BAT pin is less than 2.9V, the charger enters trickle charge mode. In this mode, the charge current is reduced to nearly 1/5 the programmed value until the battery voltage is raised to a safe level for full current charging.

The charger switches to constant-current mode as the BAT pin voltage rises above 2.9V, the charge current is thus resumed to full programmed value. When the final float voltage (4.2V) is reached, the ETA4046 enters constant-voltage mode and the charge current begins to decrease until it drops to 1/5 of the preset value and ends the charge cycle.

Programming Charge Current

The charge current is programmable by setting the value of a precision resistor connected from the ISET pin to ground. The charge current is 1000 times of the current out of the ISET pin. The charge current out of the BAT pin can be determined at any time by monitoring the ISET pin voltage using the following equation:

$$I_{BAT} = \frac{1}{R_{set}} \times 1000 - \left(\frac{1}{3.6} \times \frac{1}{R_{set}} \times 1000 \right)^2$$

Charge Termination

The ETA4046 keeps monitoring the ISET pin during the charging process. It terminates the charge cycle when the charge current falls to 1/5 the programmed value after the final float voltage is reached. When the ISET pin voltage falls below 100mV for longer than tTERM (typically 1ms), charging is terminated. The charge current is latched off and the ETA4046 enters standby mode, where the input supply current drops to 200µA. (Note: C/5 termination is disabled in trickle charging and thermal limiting modes).

During charging, the transient response of the circuit can cause the ISET pin to fall below 100mV temporarily before the battery is fully charged, thus can cause a premature termination of the charge cycle. A 1ms filter time on the termination comparator can prevent this from happening. Once the average charge current drops below 1/5 the programmed value, the ETA4046 terminates the charge cycle and ceases to provide any current through the BAT pin. In this state, all loads on the BAT pin must be supplied by the battery.

The ETA4046 constantly monitors the BAT pin voltage in standby mode and resume another charge cycle if this voltage drops below the recharge threshold. User can also manually restart a charge cycle in standby mode either by removing and then reapplied the input voltage or restart the charger using the ISET pin.

Charge Status Indicator (STAT and STDBY pin)

There are 2 different states of the charge status, one is IN CHRGING, and the other is CHARGING FINISHED. STAT is the pin to pull low during IN CHARGING status and become high impedance in CHARGING FINISHED status. And STDBY pin just works the opposite way, pulling low after charge finished, and high impedance when in charging.

High Temperature Fold-back

Build-in feedback circuitry mechanism can reduce the value of the programmed charge current once the die temperature tends to rise above 50°C, hence prevents the temperature from further increase and ensure device safe operation.

Under-voltage Lockout (UVLO)

Build-in under-voltage lockout circuit monitors the input voltage and keeps the charger in shutdown mode until VIN rises above the under-voltage lockout threshold. The UVLO circuit has a built-in hysteresis of 500mV. Furthermore, to protect against reverse current in the power MOSFET, the UVLO circuit keeps the charger in shutdown mode if VIN falls to within 30mV of the battery voltage. If the UVLO comparator is tripped, the charger will not come out of shutdown mode until VIN rises 100mV above the battery voltage.

Manual Shutdown

There are two methods can disable the IC charger:

1. Driver the EN pin to low.
2. Floating the ISET pin by removing the resistor from ISET pin to ground.

Once one of above conditions happen can put the device in shutdown mode. The battery drain current is thus reduced to 250nA and the supply current to <math><50\mu\text{A}</math>. Reconnecting the resistor back or driver EN pin high will restart a new charge cycle.

Automatic Recharge

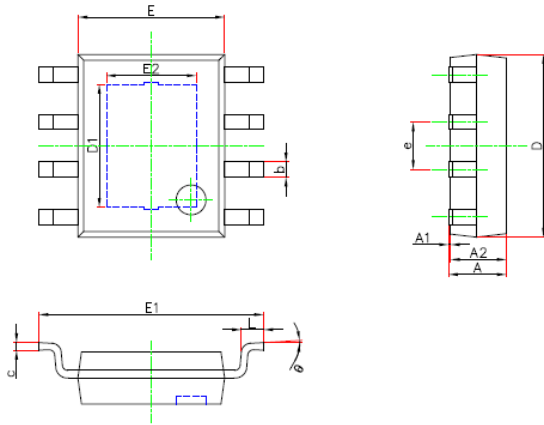
After the termination of the charge cycle, the ETA4046 constantly monitors the BAT pin voltage and starts a new charge cycle when the battery voltage falls below 4.08V, keeping the battery at fully charged condition. ISET pin output enters a strong pull-down state during recharge cycles.

Battery Temperature Monitoring

ETA4046 continuously monitors temperature by measuring the voltage of NTC pin. A negative or positive temperature coefficient thermistor and an external voltage divider typically develop this voltage. ETA4046 compares this voltage against its internal 80%VIN and 45%VIN thresholds to determine if charging is allowed. The temperature sensing circuit is immune to any fluctuation in VIN, since both the external voltage divider and the internal thresholds 80%VIN and 45%VIN are referenced to VIN. If the NTC pin is connected to GND will disable the temperature-sensing feature.

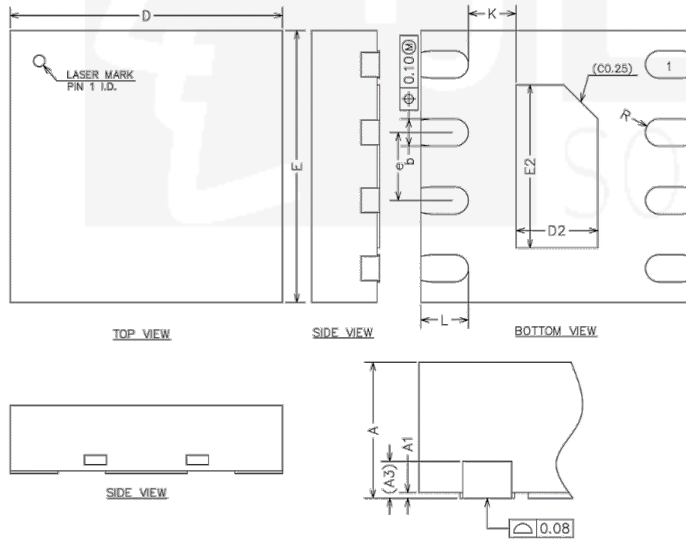
PACKAGE OUTLINE

Package: ESOP8



Symbol	Dimensions In Millimeters		Dimensions In Inches	
	Min.	Max.	Min.	Max.
A	1.300	1.700	0.051	0.067
A1	0.000	0.100	0.000	0.004
A2	1.350	1.550	0.053	0.061
b	0.330	0.510	0.013	0.020
c	0.170	0.250	0.007	0.010
D	4.700	5.100	0.185	0.201
D1	3.202	3.402	0.126	0.134
E	3.800	4.000	0.150	0.157
E1	5.800	6.200	0.228	0.244
E2	2.313	2.513	0.091	0.099
e	1.270(BSC)		0.050(BSC)	
L	0.400	1.270	0.016	0.050
θ	0°	8°	0°	8°

Package: DFN2x2-8

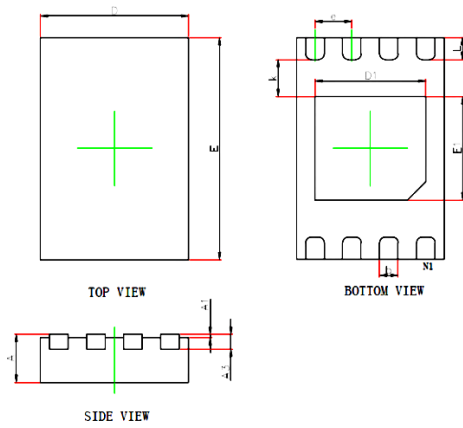


COMMON DIMENSIONS
(UNITS OF MEASURE=MILLIMETER)

SYMBOL	MIN	NOM	MAX
A	0.70	0.75	0.80
A1	0	0.02	0.05
A3	0.20REF		
b	0.15	0.20	0.25
D	1.90	2.00	2.10
E	1.90	2.00	2.10
D2	0.50	0.60	0.70
E2	1.10	1.20	1.30
e	0.40	0.50	0.60
K	0.20	-	-
L	0.30	0.35	0.40
R	0.09	-	-

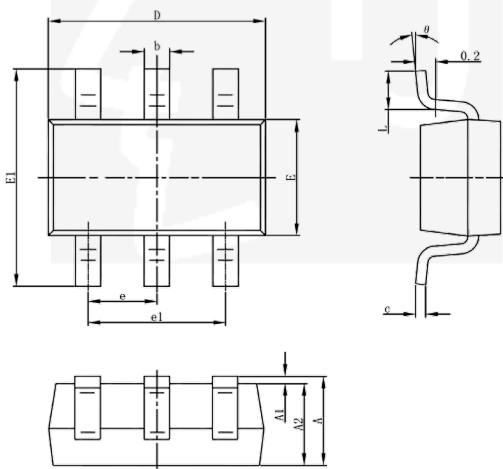
PACKAGE OUTLINE (cont')

Package: DFN2x3-8



Symbol	Dimensions In Millimeters		Dimensions In Inches	
	Min.	Max.	Min.	Max.
A	0.450	0.550	0.018	0.022
A1	0.000	0.050	0.000	0.002
A3	0.152REF.		0.006REF.	
D	1.924	2.076	0.076	0.082
E	2.924	3.076	0.115	0.121
D1	1.400	1.600	0.055	0.063
E1	1.300	1.500	0.051	0.059
k	0.200MIN.		0.008MIN.	
b	0.200	0.300	0.008	0.012
e	0.500TYP.		0.020TYP.	
L	0.224	0.376	0.009	0.015

Package: SOT23-6



Symbol	Dimensions In Millimeters		Dimensions In Inches	
	Min	Max	Min	Max
A	1.050	1.250	0.041	0.049
A1	0.000	0.100	0.000	0.004
A2	1.050	1.150	0.041	0.045
b	0.300	0.500	0.012	0.020
c	0.100	0.200	0.004	0.008
D	2.820	3.020	0.111	0.119
E	1.500	1.700	0.059	0.067
E1	2.650	2.950	0.104	0.116
e	0.950(BSC)		0.037(BSC)	
e1	1.800	2.000	0.071	0.079
L	0.300	0.600	0.012	0.024
θ	0°		8°	