

# 18V, 4.5A, High Efficiency Synchronous Step-Down Converter in FCDFN2x2-6

## DESCRIPTION

ETA1665 is a wide input range, high efficiency and high frequency DC to DC step-down switching regulator, capable of delivering up to 4.5A of output current.

It adopts an Adaptive COT control scheme that enables very fast transient response and provides a very smooth transition when the output varies from light load to heavy load. The adaptive COT control also maintains a constant switching frequency across line and load. An OVP function protects the IC itself and its downstream system against input voltage surges. Short-circuit and thermal-overload protection improves design reliability.

ETA1665 is available in a FCDFN2x2-6 package.

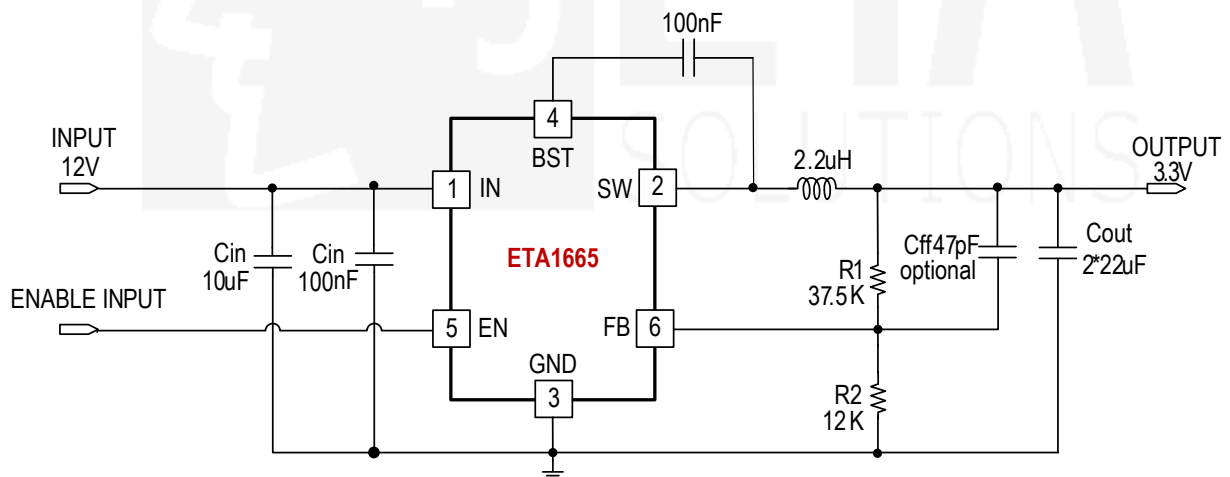
## FEATURES

- ◆ Wide Input Range: 4.5V-18V
- ◆ Adaptive COT Control
- ◆ Ultra-Fast Load Transient Response
- ◆ Forced PWM Mode
- ◆ Low R<sub>dson</sub> Internal Power FETs
- ◆ Capable of Delivering up to 4.5A
- ◆ Thermal Shutdown and UVLO
- ◆ Available in FCDFN2x2-6

## APPLICATIONS

- ◆ 5G CPE
- ◆ Set Top Box
- ◆ LCD TV

## TYPICAL APPLICATION

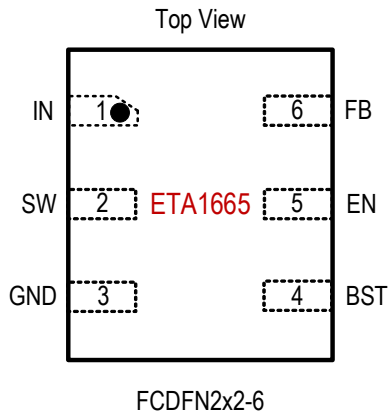


## ORDERING

## INFORMATION

PART No.	PACKAGE	TOP MARK	Pcs/Reel
ETA1665FD2G	FCDFN2x2-6	UKYW	3000

## PIN CONFIGURATION



## ABSOLUTE MAXIMUM RATINGS

(Note: Exceeding these limits may damage the device. Exposure to absolute maximum rating conditions for long periods may affect device reliability.)

IN, SW, EN Voltage .....	-0.3V to 19V
BST Voltage.....	-0.3V to SW+6V
FB Voltage .....	-0.3V to 6V
Operating Temperature Range .....	-40°C to 85°C
Storage Temperature Range .....	-55°C to 150°C
Thermal Resistance $\theta_{JA}$ $\theta_{JC}$	
FCDFN2x2-6.....	130.....60..... °C/W
Lead Temperature (Soldering, 10 sec).....	260°C

## ELECTRICAL CHARACTERISTICS

( $V_{IN} = 12V$ ,  $V_{OUT} = 3.3V$ , unless otherwise specified. Typical values are at  $T_A = 25^\circ C$ .)

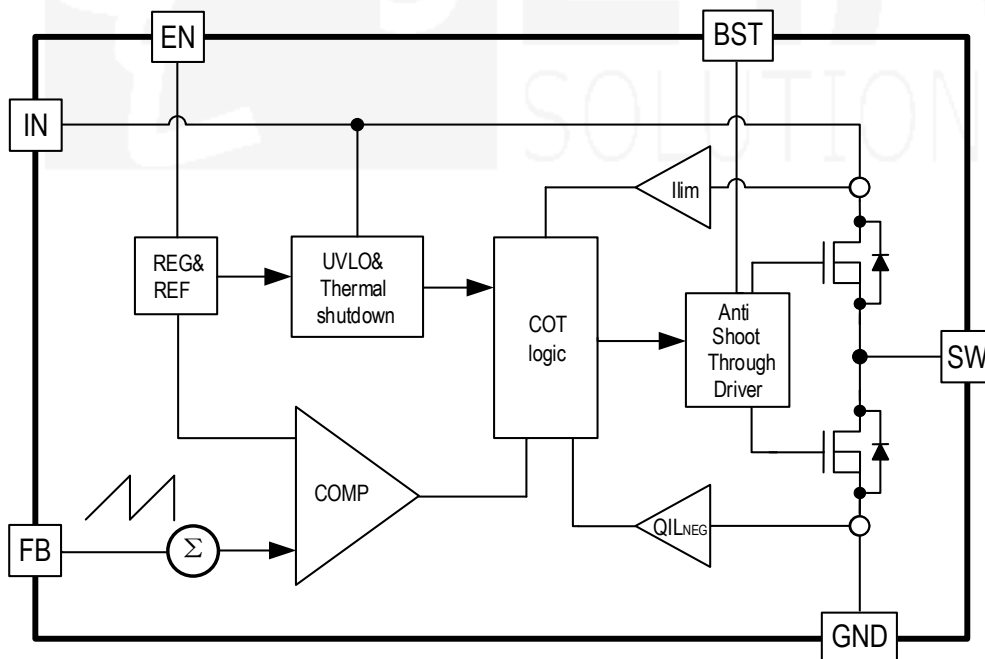
PARAMETER	CONDITIONS	MIN	TYP	MAX	UNIT
Input Supply Range		4.5		18	V
Input Under Voltage Lock Output	$V_{IN}$ Rising		4.05		V
UVLO Hysteresis	$V_{IN}$ Falling		300		mV
IN Over Voltage Protection Threshold	$V_{IN}$ Rising		19		V
OVP Hysteresis	$V_{IN}$ Falling		0.9		V
Quiescent Current	EN = 2V		230		$\mu A$
Shutdown Current	EN = 0V		7	17	$\mu A$
FB Pin Regulation Voltage			0.805		V
FB Input Current			0	1	$\mu A$
Switching Frequency	CCM mode		600		KHz
Maximum Duty Cycle			97		%
Short Circuit Hiccup Time	On Time		2		ms
	Off Time		6		ms
FB out-of Hiccup Threshold	$V_{OUT}$ rising		75		%
FB under voltage hysteresis	$V_{OUT}$ falling		50		mV
High Side Switch On Resistance	ISW=1A		68		m $\Omega$
Low Side Switch On Resistance	ISW=1A		32		m $\Omega$
SW Leakage Current	$V_{IN}=V_{SW}=12V$			10	$\mu A$
Peak inductor protection current	High Side ON		8.8		A
Lowside current limit protection			5		A
Reverse Current Protection			-4.7		A
EN Rising Threshold			1.15		V
EN Threshold Hysteresis			100		mV

PARAMETER	CONDITIONS	MIN	TYP	MAX	UNIT
EN Input Current			2	6	uA
Thermal Shutdown			155		°C
Thermal Hysteresis			40		°C

### PIN DESCRIPTION

PIN #	PIN NAME	DESCRIPTION
1	IN	Supply Voltage. Bypass with a 100nF HF filter plus a 10µF ceramic capacitor to GND
2	SW	Inductor Connection. Connect an inductor Between SW and the regulator output.
3	GND	Ground
4	BST	Bootstrap pin. Connect a 100nF capacitor from this pin to SW
5	EN	Enable pin for the IC. Drive this pin high to enable the part, low or floating to disable.
6	FB	Feedback Input. Connect an external resistor divider from the output to FB and GND to set VOUT.

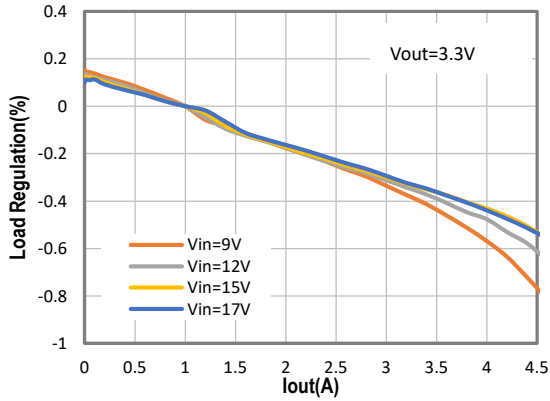
### FUNCTIONAL BLOCK DIAGRAM



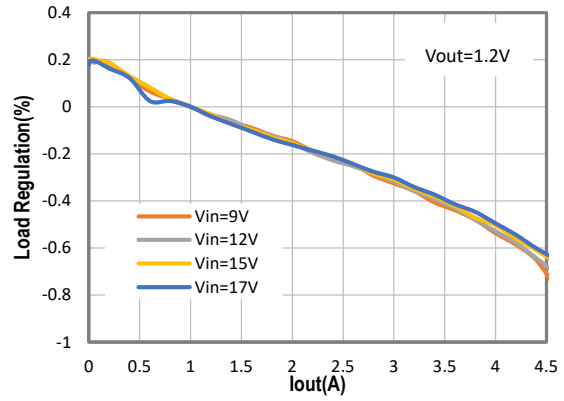
## TYPICAL CHARACTERISTICS

Typical values are at  $T_a=25^{\circ}\text{C}$  unless otherwise specified

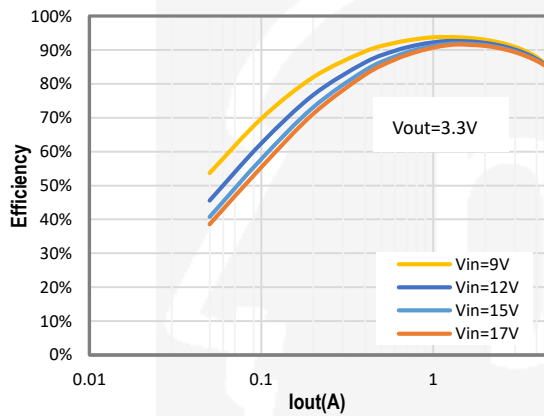
### Load Regulation



### Load Regulation

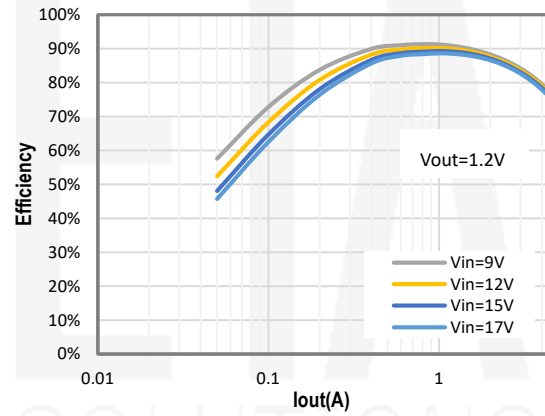


### Eff Vs Iout

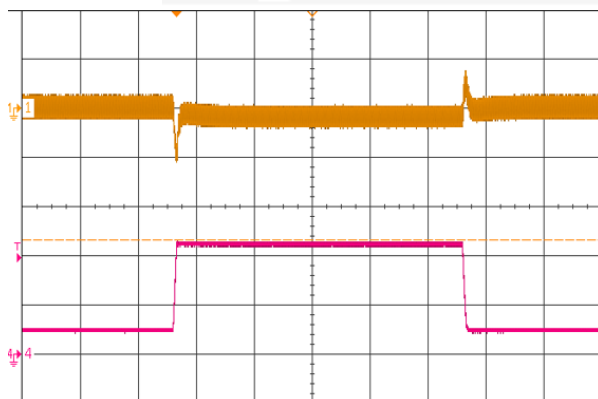


Vout=3.3V; Iout from 1A to 4.5A

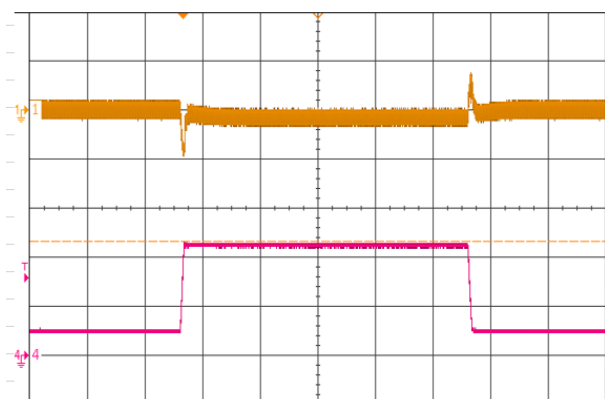
### Eff Vs. Iout



Vout=1.2V; Iout from 1A to 4.5A



100mV/div 2A/div



50mV/div 2A/div

## FEATURE DESCRIPTION

The ETA1665 is a synchronous buck regulator ICs that integrates the adaptive COT control, top and bottom switches on the same die to minimize the switching transition loss and conduction loss.

ETA1665 is a wide input range, high-efficiency and high frequency DC-to-DC step-down switching regulator, capable of delivering up to 4.5A of output current. It adopts an Adaptive COT control scheme that enables very fast transient response and provides a very smooth transition when the output varies from light load to heavy load. It compares the sum of the FB voltage and a ripple voltage that mimics the voltage due to the output ESR and capacitance. The constant-on-time timer varies with line to achieve relative constant switching frequency across line.

### *Forced PWM Mode*

A forced PWM DC-DC regulator always switches at a fixed frequency when the output heavy load or light load. This is to ensure a minimum output voltage ripple over the full load range.

### *Enable*

EN is a digital control pin that turns the ETA1665 on and off. Drive EN High to turn on the regulator, drive it Low to turn it off. An internal  $1M\Omega$  resistor from EN pin to GND allows EN to float to shut down the chip. Connecting the EN pin through a pull up resistor or shorted EN to IN will automatically turn on the chip whenever plug in IN.

### *Over Current Protection and Hiccup*

ETA1665 has a cycle-by-cycle over current limit for both inductor current peak value and inductor current valley value. Meanwhile both inductor currents during LS\_FET ON or HS\_FET ON are monitored. During LS\_FET on, sensed inductor current is monitored by a valley current limit comparator. HS\_FET always wait until valley current limit disappear to be on again. Once, HS\_FET is ON, it will be immediately OFF whenever max on time or peak current limit is reached.

When the output voltage drop until FB falls below UV threshold (70%  $V_{normal}$ ), the ETA1665 will enter hiccup mode. It will turn off the chip immediately for 6ms. After that, it will try to re-starts as normal for 2ms. After 2ms, if FB is still below UV threshold, then the chip enters hiccup mode again. If FB is higher than UV threshold, it will enter the normal mode.

### *Over-Temperature Protection*

Thermal protection disables the output when the junction temperature rises to approximately  $150^{\circ}C$ , allowing the device to cool down. When the junction temperature cools down approximately  $110^{\circ}C$ , the output circuitry is again enabled. Depending on power dissipation, thermal resistance, and ambient temperature, the thermal protection circuit may cycle on and off.

This cycling limits regulator dissipation, protecting the device from damage as a result of overheating.

## OUTPUT VOLTAGE CONFIGURATION

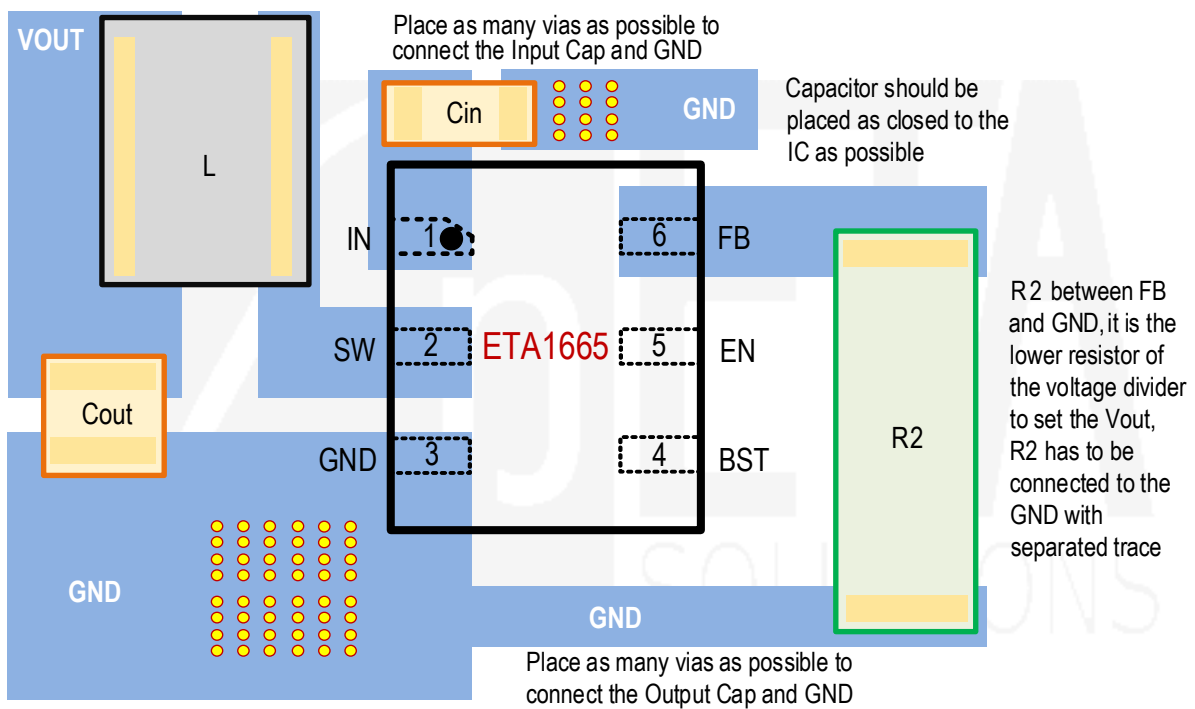
In external Output Voltage Setting Version selected, the ETA1665 regulator is programmed using an external resistor divider. The output voltage is calculated using below equation.

$$V_{OUT} = V_{REF} \times \left(1 + \frac{R_1}{R_2}\right)$$

Resistors R2 has to be between 1KOhm to 20KOhm and thus R1 is calculated by following equation.

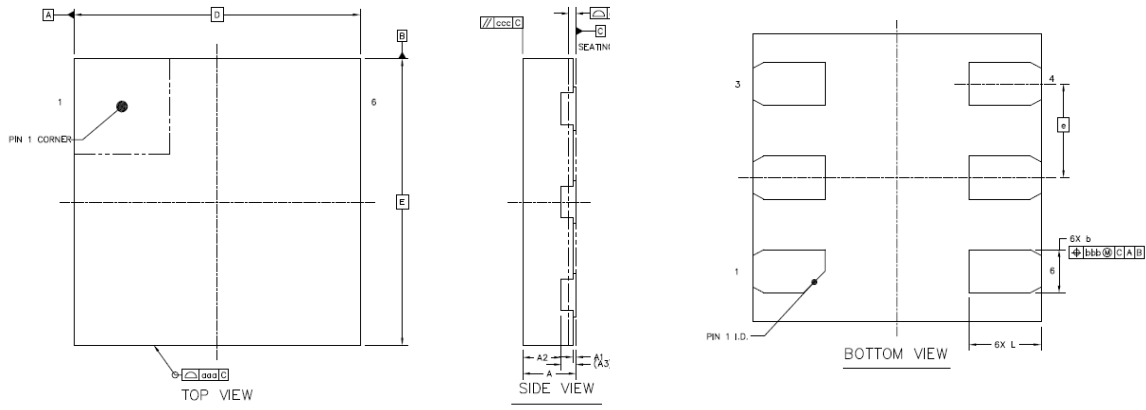
$$R_1 = \left(\frac{V_{OUT}}{V_{REF}} - 1\right) \times R_2$$

## PCB LAYOUT GUIDELINE



## PACKAGE OUTLINE

Package: FCDFN2x2-6



	SYMBOL	MIN	NOM	MAX
TOTAL THICKNESS	A	0.32	0.37	0.4
STAND OFF	A1	0	0.02	0.05
MOLD THICKNESS	A2	---	0.27	---
L/F THICKNESS	A3	0.102 REF		
LEAD WIDTH	b	0.25	0.3	0.35
BODY SIZE	X	D		
	Y	E		
LEAD PITCH	e	0.65 BSC		
LEAD LENGTH	L	0.45	0.5	0.55
PACKAGE EDGE TOLERANCE	ddd	0.1		
MOLD FLATNESS	ccc	0.1		
COPLANARITY	eee	0.05		
LEAD OFFSET	bbb	0.1		